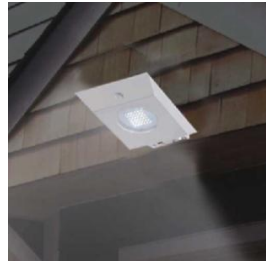


2W Solar Security Light

Instruction Manual

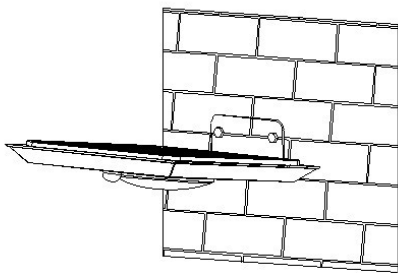


Possible places to install: • Garage • Entrance of your house • Patio (pool and back) • Mail box • Driveway

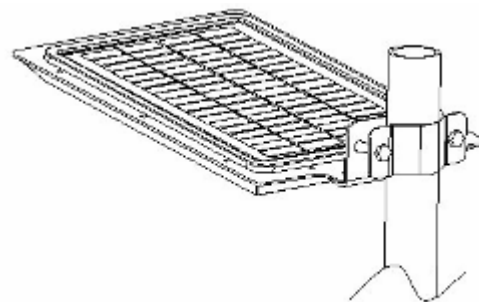
Features:

- Rain-proof, reliable for outdoor installation.
- Highly Integrated includes all components without extra wiring outside the unit.
- Combine latest solar power and LED lighting technology.
- High capacity, long-life Lithium Battery, with excellent high temperature characteristics to ensure the whole product life span.
- The main structure is made of material with anti-corrosion treatment.

Installation:



Install on wall



Install on pole

Two simple ways of installation, either on wall or pole is available.
You can use iron prop, wood, bamboo, or plastic material etc. on the spot as the lamp pole. Make the solar panel face to the sun after installation.

Specification:

Specification	
Solar panel	Amorphous silicon solar panel 2W
Lithium Battery	2000mAH, 3.7V
Infrared sensor	Detection distance: 5m Detection range: a 90 degree spread (left to right), a 120 degree spread (up to down). Ambient brightness < 300 LUX to turn the light on
LED Light / Luminance	36PC LED / 2W / 120 Lumens
LED light visible angle	120°
Power button	Upspring = Off Push down = Auto You must push power button switch down to activate to lighting mode.
Lighting Duration:	60 seconds for each sensor lighting
Lighting:	> 100 times lighting can be activated per solar charge
Charging Time	6h under full sun and ideal installation condition
Working temperature	-20°C~+60°C
Installation advices	Height: 2-3m
Waterproof Class	IP35

Caution

- When the ambient temperature rises close to the human body temperature. The detection distance will be shortened.
- Clean solar panel surface with a soft cloth periodically.
- Prevent the solar panel being covered by buildings.
- The total lighting time is based on full sun and ideal placement of light. In winter or on cloudy days the ideal lighting time may be affected.