

S1000

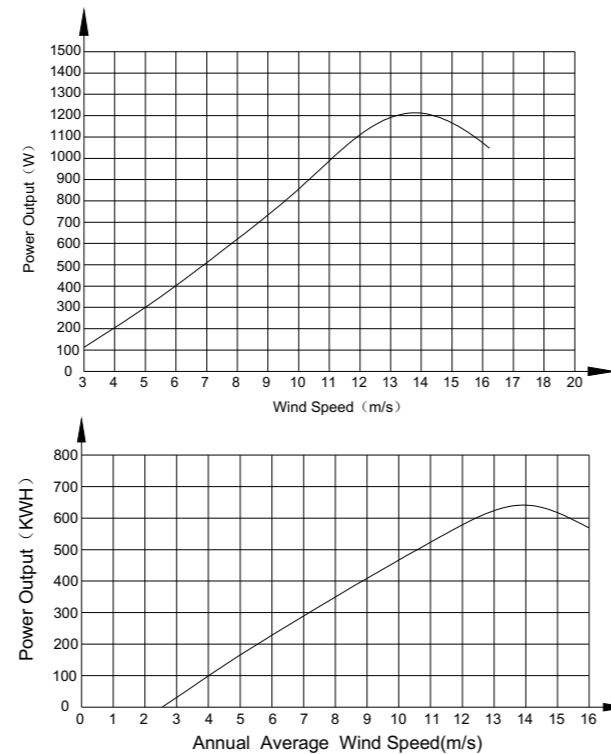
- ◆NSK Bearing , PHELPS DODGE Copper Wire
- ◆Generator with detachable Design,Easy Maintenance
- ◆High efficiency, low noise , high wind speed withstand
- ◆Aluminum Alloy Die casting shell, Stainless steel parts, plastic spray coating,Corrosion resistance, rust prevention,sand, salt, fog safeguard.



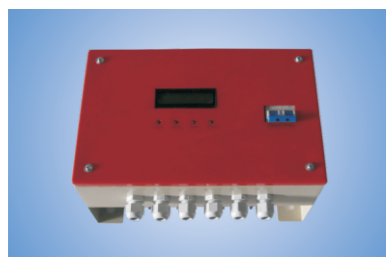
Technical Data sheet:

Model	S-1000
Rated Output Power	1000W
Max Output Power	1200W
Rotor Diameter (m)	2.18m
Swept Area	3.73 sq.m.
Number of blades	3
Blade material	FRP
Rated Output Voltage	DC24V / 48V
Rated rotate speed	500 rpm
Cut in wind speed	3m/s
Rated wind speed	10m/s
Survival wind speed	60m/s
Generator Type	3 Phase PMG
Protection	Electromagnetic brake
Working Temp.range	from -40℃ to 60℃
Net Weight	28 Kg
Controller Type	MPPT
Warranty	3 years
Certificate	ISO9001:2008, CE, RoHs

1 KW Power Curve:



1 KW Wind-Solar Hybrid Charge Controller& Dumping Load:



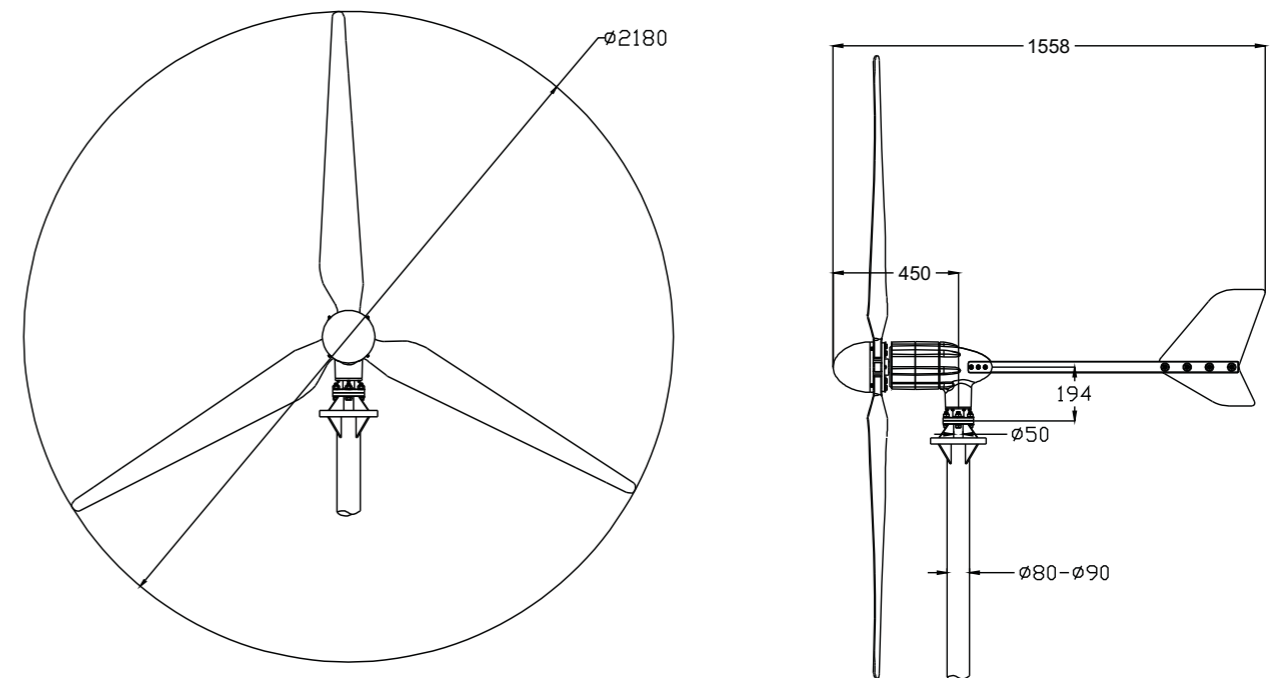
- ◆Multi-stage unloading mode
- ◆MPPT function, Maximum charging power tracking points can set.
- ◆Power,Voltage,Current output& operating state real-time monitoring.
- ◆Overcharge, overload protection
- ◆Automatically unlock function
- ◆America origin industrial level Chip Components,normal operation in Cold& high-temperature environment

Greatwatt S1000 1KW Power Output Table(Power VS Wind Speed):

Wind Speed	3m/s	5m/s	7m/s	9m/s	10m/s	12m/s	14m/s	16m/s	
24V	Charge Current	3A	10A	16A	24A	27A	32A	35A	Brake
	Output Power	91W	280W	450W	682W	756W	900W	1008W	

Wind Speed	3m/s	5m/s	7m/s	9m/s	10m/s	12m/s	14m/s	16m/s	
48V	Charge Current	2A	6A	9A	13A	16A	18A	21A	Brake
	Output Power	108W	300W	505W	740W	915W	1050W	1210W	

S1000 1KW Wind Generator Chart:



S1000 1kw Wind turbine Shipping Info:

Package Carton Size:116*54*28cm

Net Weight: 44kgs Gross Weight:48kgs

Applications:

- ※Home and Residential
- ※Monitoring station
- ※Telecom Base Station
- ※Water Pumping
- ※Solar &Wind Hybrid System
- ※Sea Inland & Romote Cabin