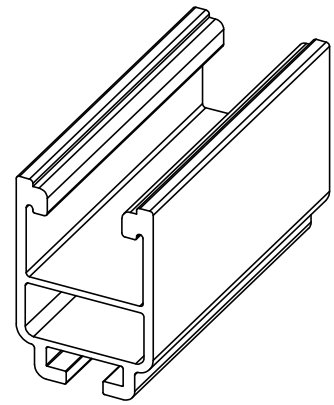




2:1



Technical data

Material: Al-alloy with Rm min. 250 N/mm²
 Cross section surface: 6,42 cm²
 Weight: ca. 1,7 kg/m
 Span length on demand

 			Benennung		
			Quick Mounting Rail K2 Alpin F_M RK2A 6,10		
			Drw.-Nr.	13275	A4
Designer	Stegmaier	Date	30.09.2008	Material	Aluminium
Approved	Stegmaier	Date	30.09.2008		
Layout	Engelmann	Date	01 / 2009	Surface	blank
			Weight	ca. 1,7 kg/m	Scale 2:1
				Sheet 1 of 1	