

Wind Generator -S700 Model

1. Start in Breeze wind
2. Low Noise, Quieter!
3. Small, Big Power output!
4. Perfect Performance!

More detail see page 2>>

Aluminum Die-casting body create perfect appearance!

New Design CFRP blades
One blade weighs 233g.
Double wind swept area,
Higher intension,Durable.



Streamline design,



New alternator and cooling case,
High efficiency,
more power Output!



Smart Controller
Battery Charging Protect,
create higher efficiency!

Features

Start in Breeze Wind, quieter,
 More energy output and high efficient,
 Micro processor-based Smart Control.
 3 CFRP Blades, New design, weight 230g.
 Magnalium Alloy body Casting,
 NdFeB Permanent Magnet alternator,
 Maintenance free, only two Moving parts.



Warranty

3 Years Warranty time
 1 Year for Controller.

Specification:

Technical Data Sheet		
Start wind Speed	2.5 m/s	
Cut in Wind Speed	3 m/s	
Output Voltage	12v	24v
Rated Power	200W	300W
Max. Output	300W	400W
Blade Diameter	1.12m (3.67ft)	
Blade Number	3 Pcs	
Blade Material	CFRP(Carbon Fiber Reinforced)	
Protection model	Hysteresis Braking	
Controller Model	Inner controller	External controller
Generator Type	Permanent Magnet	
Protection grade	IP54	
Packing	Carton +Foam	
Carton Size	70*40*22cm	
Net Weight	6.5kgs	

Mounting: Mounting Pipe: OD: 1.9in (48mm)



S-700I-Inner Controller



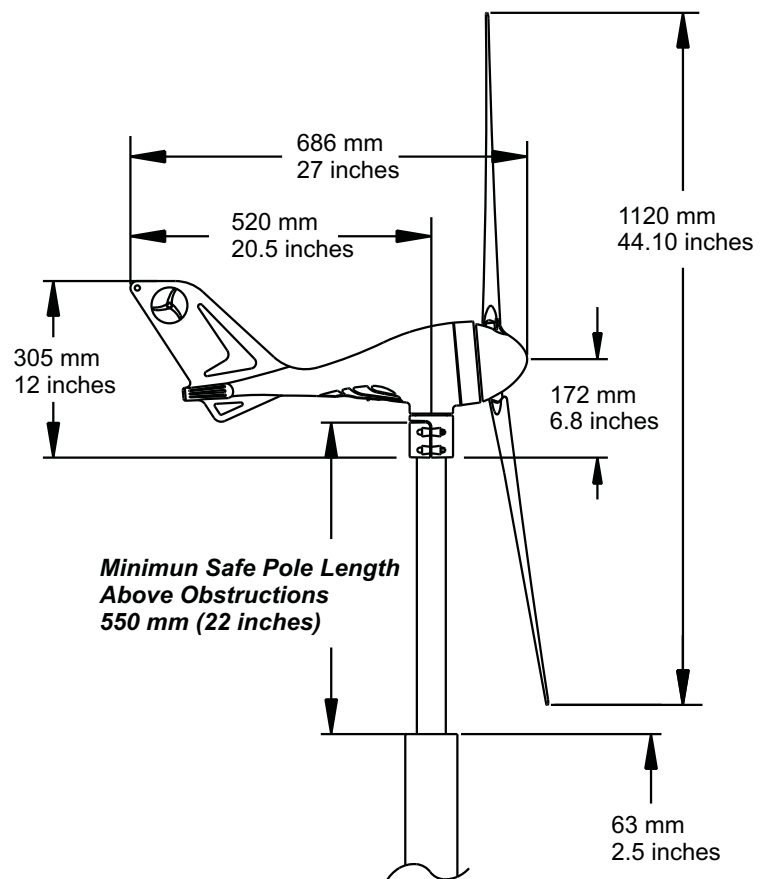
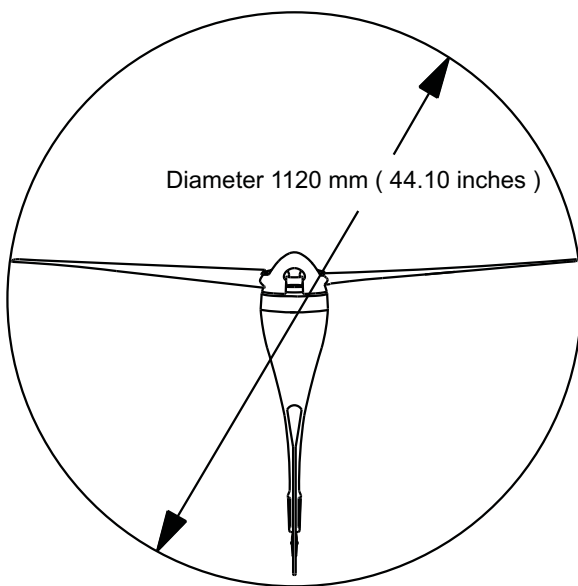
S-700E –External Controller

Application

- House and Remote Cabin
- Marine Boat & Yatching
- Telecommunication Tower
- Monitoring station
- Water Pumping
- Solar & Wind Hybrid System



SPHERE OF OPERATION



Performance datasheet

Blades Diameter: 1.12m (3.67ft)		Net Weight: 6.7kg (14.8 lb)			Blades Material: CFRP				
Cut in speed: 3m/s		Rated wind speed: 12m/s			Survival wind speed: 60m/s				
Over-speed Protection: Hysteresis Braking					Output Voltage: 12V & 24V change DIY				
Wind Speed		3.0m/s	5.0m/s	7.0m/s	10m/s	12m/s	15m/s	18m/s	≥20m/s
12V system	RPM (r/min)	610	820	860	1030	1130	1250	1350	Protect Mode
	Output (vol)	12.3	12.4	12.5	12.6	12.8	13.2	13.5	
	Charge (amp)	0.8	5	7	12	17	23	25	
	Output (Watt)	10	62	88	151	218	304	337	
24V system	RPM (r/min)	700	810	880	1030	1200	1300	1400	Protect Mode
	Output (volt)	21.8	21.9	22.0	22.1	22.2	22.3	22.4	
	Charge (amp)	0.1	1	1	1	1	1	1	
	Output (Watt)	10	75	100	189	262	371	432	

You can use this formula to calculate the power, [watts]: $Power = Voltage * Amps$.

