

S800

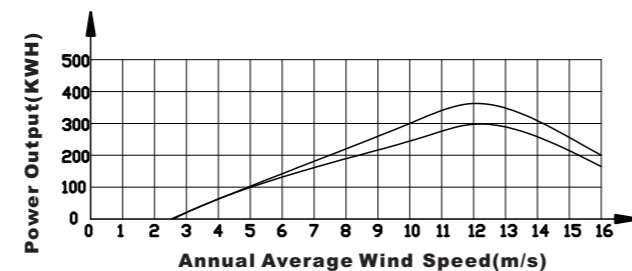
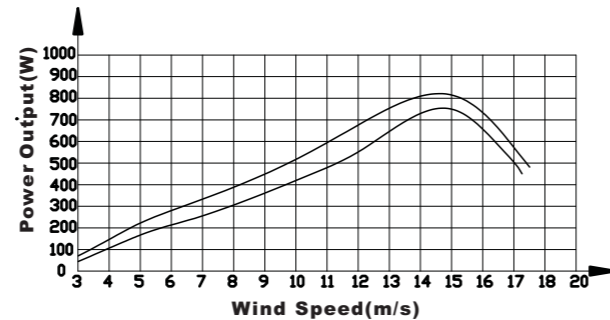
- ◆ NSK Bearing , PHELPS DODGE Copper Wire
- ◆ Generator with detachable Design, Easy Maintenance
- ◆ High efficiency, low noise , high wind speed withstand
- ◆ Aluminum Alloy Die casting shell, Stainless steel parts, plastic spray coating, Corrosion resistance, rust prevention, sand, salt, fog safeguard.



Technical Data sheet:

| Model | S800 |
|----------------------|------------------------|
| Rated Output Power | 600W |
| Max Output Power | 800W |
| Rotor Diameter (m) | 1.67m |
| Swept Area | 2.2 sq.m. |
| Number of blades | 3 |
| Blade material | GFRP |
| Rated Output Voltage | DC24V / 48V |
| Rated rotate speed | 700 rpm |
| Cut in wind speed | 3m/s |
| Rated wind speed | 10m/s |
| Survival wind speed | 60m/s |
| Generator Type | 3 Phase PMG |
| Protection | Electromagnetic brake |
| Working Temp.range | from -40℃ to 60℃ |
| Net Weight | 30 Kg |
| Controller Type | MPPT |
| Warranty | 3 years |
| Certificate | ISO9001:2008, CE, RoHs |

S800 Power Curve :

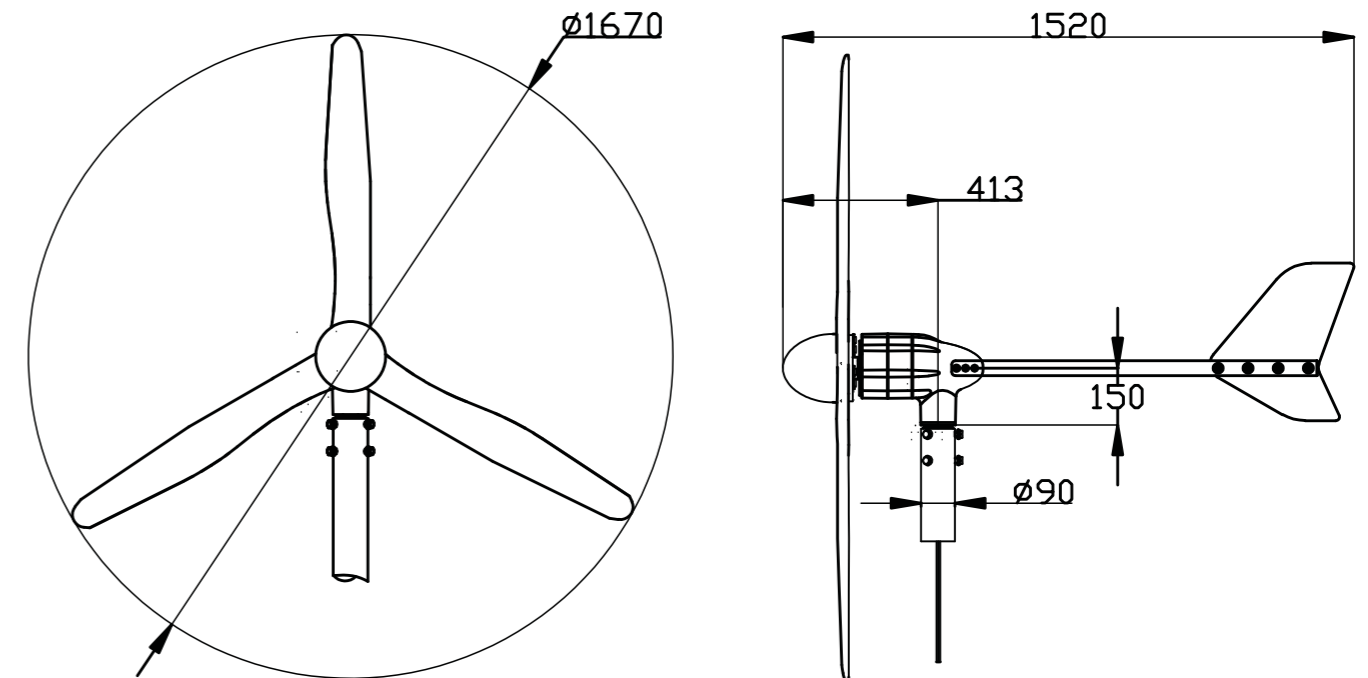


Greatwatt S800 Power Output Table(Power VS Wind Speed):

| Wind Speed | 3m/s | 5m/s | 7m/s | 8m/s | 10m/s | 12m/s | 15m/s | 16m/s |
|--------------------|------|------|------|------|-------|-------|-------|-------|
| 24V Charge Current | 2A | 6A | 8A | 10A | 15A | 20A | 27A | Brake |
| 24V Output Power | 54W | 162W | 208W | 273W | 420W | 550W | 756W | |

| Wind Speed | 3m/s | 5m/s | 7m/s | 8m/s | 10m/s | 12m/s | 15m/s | 16m/s |
|--------------------|------|------|------|------|-------|-------|-------|-------|
| 48V Charge Current | 1.5A | 5A | 6A | 7A | 9A | 13A | 15A | Brake |
| 48V Output Power | 78W | 260W | 324W | 378W | 486W | 689W | 810W | |

S800 Wind Generator Chart:



S800 Wind turbine Shipping Info:

Package Carton Size: 68*41*26cm+100*15*14cm
 Net Weight: 30kgs Gross Weight: 33kgs

Applications:

- ※ Home and Residential
- ※ Monitoring station
- ※ Telecom Base Station
- ※ Water Pumping
- ※ Solar & Wind Hybrid System
- ※ Sea Inland & Remote Cabin

S800 Wind -Solar Hybrid Charge Controller:



- ◆ Wind-Solat Hybrid Charge Controller
 24V system Max Solar Power 200W
 48V system Max Solar Power 400W
- ◆ MPPT function, Maximum charging power tracking points can set.
- ◆ Power, Voltage, Current output & operating state real-time monitoring.
- ◆ Overcharge, overload protection
- ◆ Automatically unlock function
- ◆ America origin industrial level Chip Components, normal operation in Cold & high-temperature environment