
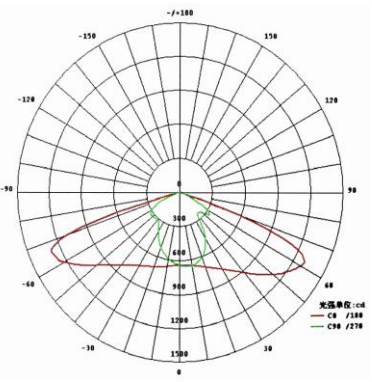
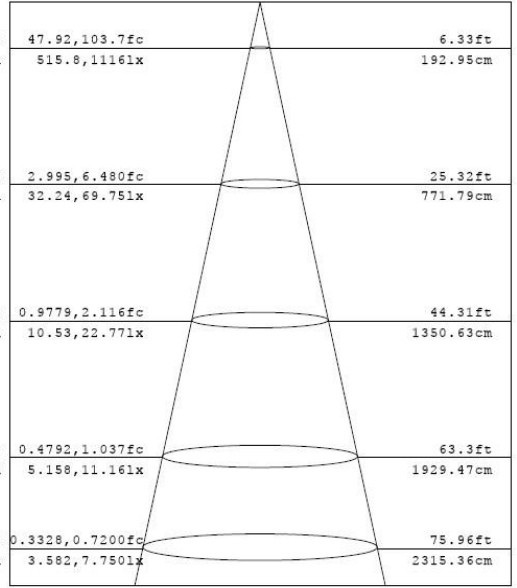
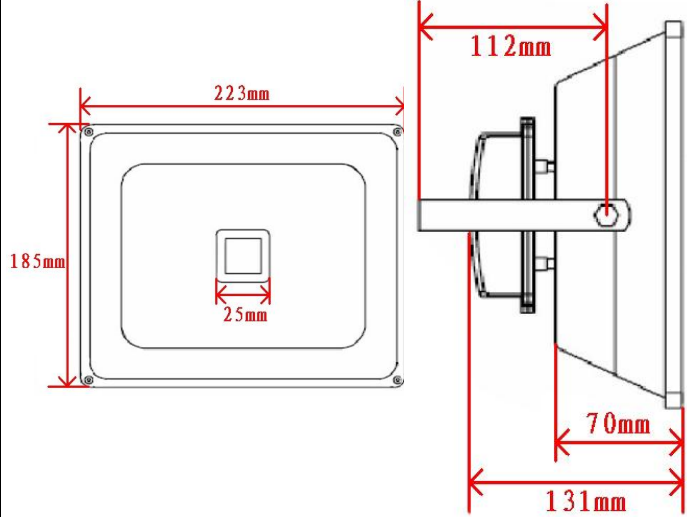


Product Specifications

| | | | | | | | |
|---------------------------|-------------------------|------------------------------|-----------------|--|------------------------------------|------------------|----------------|
| Product Name | | 30W LED Flood light | |  | | | |
| Product Model | | L30W | | | | | |
| Optical Parameters | | Electrical Parameters | | Others | | | |
| LED Chip | 45milx 45mil Chip | Input Voltage | 100V-240VAC | Heat Sink Surface Temperature | 50°C (Ambient Temperature 30°C) | Lifespan | ≥50000 Hrs |
| LED Chip Type | 30W Integrated LED Chip | Power Frequency | 50/60HZ | Luminaire Base Temperature | 55°C (Ambient Temperature 30°C) | Fixture Material | Aluminum Alloy |
| LED Chip Quantity | 1PCS | Output Voltage | 30-36VDC | Working Temperature | -25~+45°C | N.W | 2.4kg |
| Color temperature | 5500-6000K | LED Driver | Isolated driver | Working Humidity | 15%~90%RH | G.W | 3.0kg |
| Fixture Efficiency | ≥90% | Total Power | 35.7W | Storing Temperature | -30~+65°C | IP Level | IP65 |
| Light Efficiency | 80-90lm/W | LED Power Dissipation | 30W | HID Replacment | 100W | | |
| Luminous Flux | 3000LM | Power Efficiency | 84% | Light Body Package Outer Dimensions | 1piece/package: | | 340*290*200mm |
| Ra | ≥75 | Power Factor | ≥0.9 | | | | |

| Beam Angle | 120 ° | THD | ≤15% | | | | | | | | | | | | | | | | | | | | | | | | | | |
|--|---|----------------|----------------------|---------------------|------------|----------------|----------|---------------|-------------------------------|--|--------------------|---------------|--------------------------------|--|---------------------|---------------|---------------------------------|--|----------------------|----------------|---------------------------------|--|---------------------|----------------|----------------------------------|--|----------------------|--|--|
| Light DistributionCurve | Luminance Intensity | | | Physical Dimensions | | | | | | | | | | | | | | | | | | | | | | | | | |
|  <p>光通单位:cd — CA /118 — CA /128</p> |  <table border="1"> <thead> <tr> <th>Height</th> <th>Eavg, Emax</th> <th>Angle:87.94deg</th> <th>Diameter</th> </tr> </thead> <tbody> <tr> <td>3.281ft 1m</td> <td>47.92,103.7fc 515.8,1116lx</td> <td></td> <td>6.33ft 192.95cm</td> </tr> <tr> <td>13.12ft 4m</td> <td>2.995,6.480fc 32.24,69.75lx</td> <td></td> <td>25.32ft 771.79cm</td> </tr> <tr> <td>22.97ft 7m</td> <td>0.9779,2.116fc 10.53,22.77lx</td> <td></td> <td>44.31ft 1350.63cm</td> </tr> <tr> <td>32.81ft 10m</td> <td>0.4792,1.037fc 5.158,11.16lx</td> <td></td> <td>63.3ft 1929.47cm</td> </tr> <tr> <td>39.37ft 12m</td> <td>0.3328,0.7200fc 3.582,7.750lx</td> <td></td> <td>75.96ft 2315.36cm</td> </tr> </tbody> </table> | | | Height | Eavg, Emax | Angle:87.94deg | Diameter | 3.281ft 1m | 47.92,103.7fc 515.8,1116lx | | 6.33ft 192.95cm | 13.12ft 4m | 2.995,6.480fc 32.24,69.75lx | | 25.32ft 771.79cm | 22.97ft 7m | 0.9779,2.116fc 10.53,22.77lx | | 44.31ft 1350.63cm | 32.81ft 10m | 0.4792,1.037fc 5.158,11.16lx | | 63.3ft 1929.47cm | 39.37ft 12m | 0.3328,0.7200fc 3.582,7.750lx | | 75.96ft 2315.36cm |  <p>223mm 185mm 25mm 112mm 70mm 131mm</p> | |
| Height | Eavg, Emax | Angle:87.94deg | Diameter | | | | | | | | | | | | | | | | | | | | | | | | | | |
| 3.281ft 1m | 47.92,103.7fc 515.8,1116lx | | 6.33ft 192.95cm | | | | | | | | | | | | | | | | | | | | | | | | | | |
| 13.12ft 4m | 2.995,6.480fc 32.24,69.75lx | | 25.32ft 771.79cm | | | | | | | | | | | | | | | | | | | | | | | | | | |
| 22.97ft 7m | 0.9779,2.116fc 10.53,22.77lx | | 44.31ft 1350.63cm | | | | | | | | | | | | | | | | | | | | | | | | | | |
| 32.81ft 10m | 0.4792,1.037fc 5.158,11.16lx | | 63.3ft 1929.47cm | | | | | | | | | | | | | | | | | | | | | | | | | | |
| 39.37ft 12m | 0.3328,0.7200fc 3.582,7.750lx | | 75.96ft 2315.36cm | | | | | | | | | | | | | | | | | | | | | | | | | | |