

S800

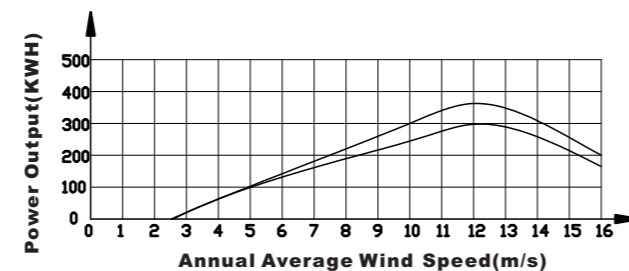
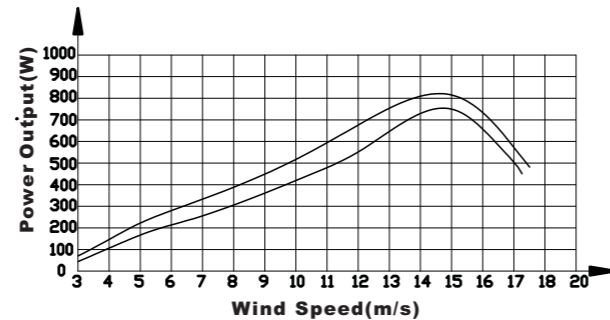
- ◆ NSK Bearing , PHELPS DODGE Copper Wire
- ◆ Generator with detachable Design, Easy Maintenance
- ◆ High efficiency, low noise , high wind speed withstand
- ◆ Aluminum Alloy Die casting shell, Stainless steel parts, plastic spray coating, Corrosion resistance, rust prevention, sand, salt, fog safeguard.



Technical Data sheet:

Model	S800
Rated Output Power	600W
Max Output Power	800W
Rotor Diameter (m)	1.67m
Swept Area	2.2 sq.m.
Number of blades	3
Blade material	GFRP
Rated Output Voltage	DC24V / 48V
Rated rotate speed	700 rpm
Cut in wind speed	3m/s
Rated wind speed	10m/s
Survival wind speed	60m/s
Generator Type	3 Phase PMG
Protection	Electromagnetic brake
Working Temp.range	from -40℃ to 60℃
Net Weight	30 Kg
Controller Type	MPPT
Certificate	ISO9001:2008, CE, RoHs

S800 Power Curve :

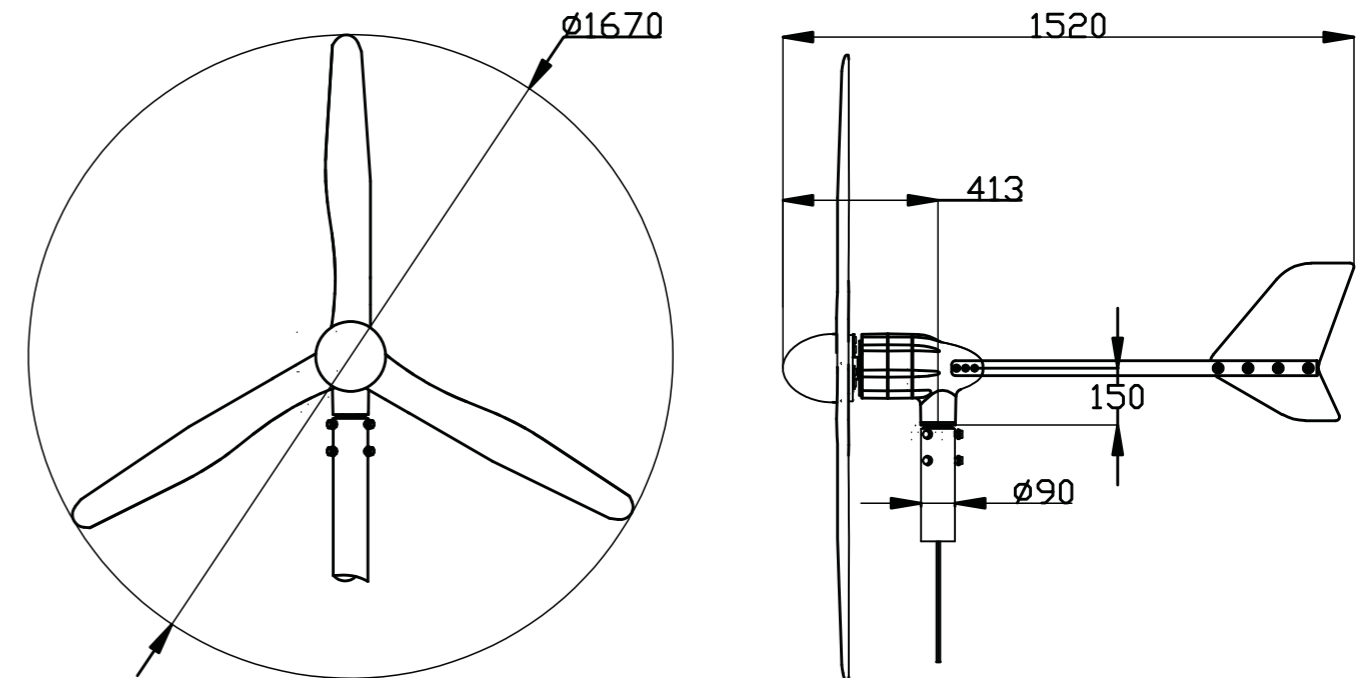


Greatwatt S800 Power Output Table(Power VS Wind Speed):

Wind Speed	3m/s	5m/s	7m/s	8m/s	10m/s	12m/s	15m/s	16m/s	
24V	Charge Current	2A	6A	8A	10A	15A	20A	27A	Brake
	Output Power	54W	162W	208W	273W	420W	550W	756W	

Wind Speed	3m/s	5m/s	7m/s	8m/s	10m/s	12m/s	15m/s	16m/s	
48V	Charge Current	1.5A	5A	6A	7A	9A	13A	15A	Brake
	Output Power	78W	260W	324W	378W	486W	689W	810W	

S800 Wind Generator Chart:



S800 Wind turbine Shipping Info:

Package Carton Size: 68*41*26cm+100*15*14cm
 Net Weight: 30kgs Gross Weight: 33kgs

Applications:

- ※ Home and Residential
- ※ Monitoring station
- ※ Telecom Base Station
- ※ Water Pumping
- ※ Solar & Wind Hybrid System
- ※ Sea Inland & Remote Cabin

S800 Wind -Solar Hybrid Charge Controller:



- ◆ Wind-Solat Hybrid Charge Controller
 24V system Max Solar Power 200W
 48V system Max Solar Power 400W
- ◆ MPPT function, Maximum charging power tracking points can set.
- ◆ Power, Voltage, Current output & operating state real-time monitoring.
- ◆ Overcharge, overload protection
- ◆ Automatically unlock function
- ◆ America origin industrial level Chip Components, normal operation in Cold & high-temperature environment