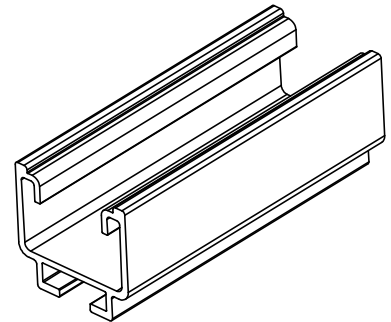


2:1



1:2; 100 long

Technical data

Material: Al-alloy with Rm min. 250 N/mm²
 Cross section surface: 3,11 cm²
 Weight: ca. 0,85 kg/m
 Span length on demand

Characteristics for calculation

A = 311 mm²
 I_y = 42700 mm⁴
 I_z = 67769 mm⁴
 W_y = 2176 mm³
 W_z = 3430 mm³



K2 Systems GmbH
 Heimsheimer Str. 69
 71263 Weil der Stadt/Hausen
 07033/46665-00

Benennung

Data Sheet
 Rail Light

	Name	Date	Material
Designer	Stegmaier	30.09.2008	Aluminium
Approved	Stegmaier	30.09.2008	Surface blank
			Weight ca. 0,85 kg/m

Drw.-Nr.	P1000014	A4
Scale 2:1	Sheet 1 of 1	